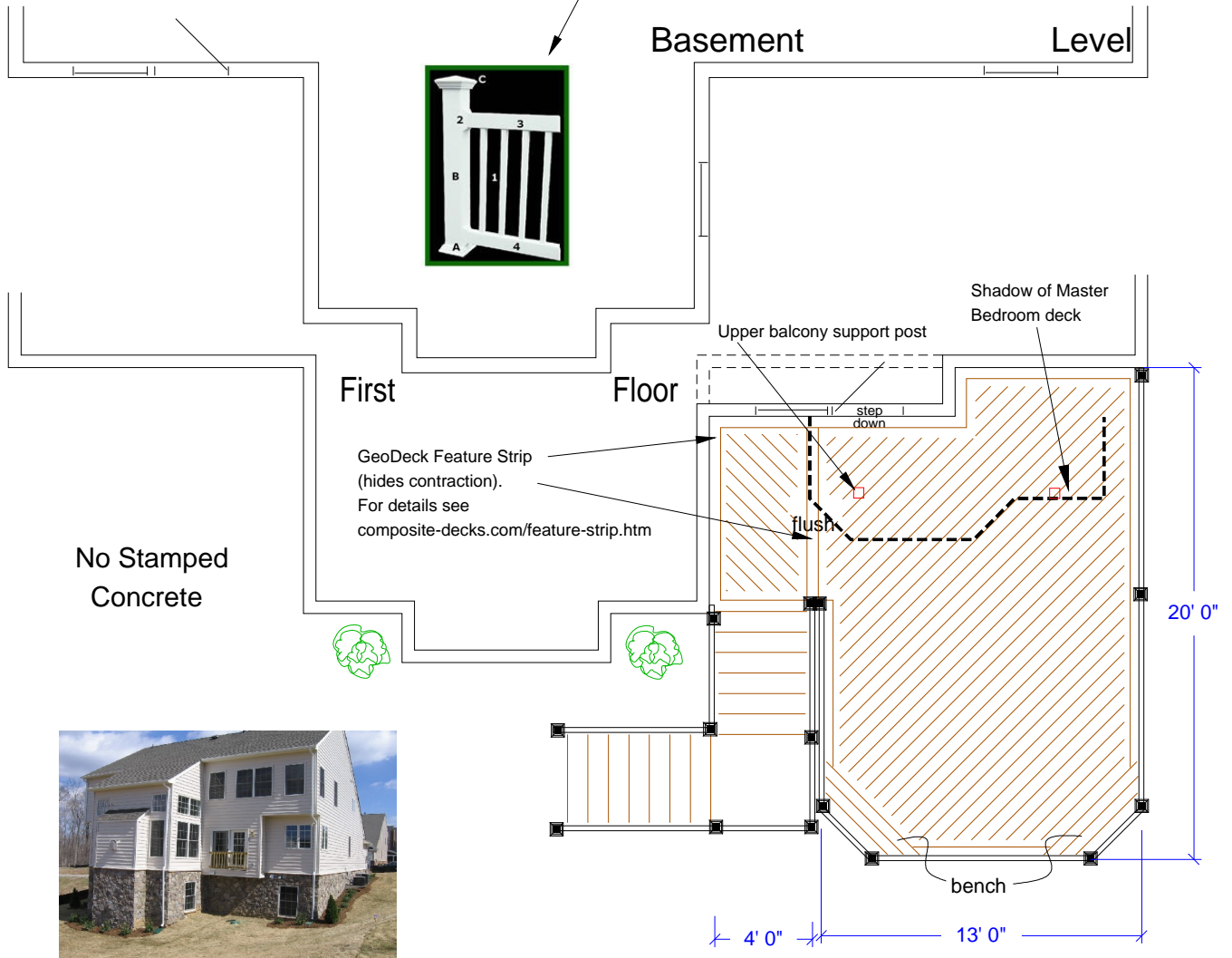
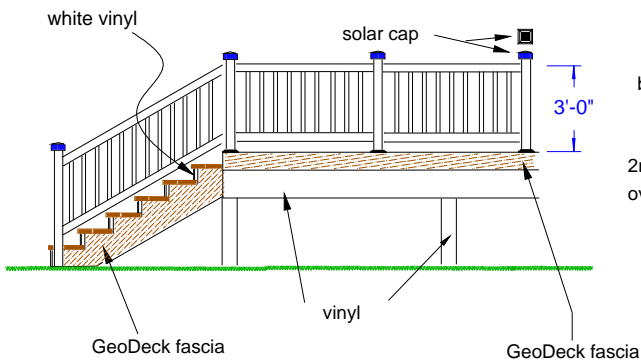


NOTES:

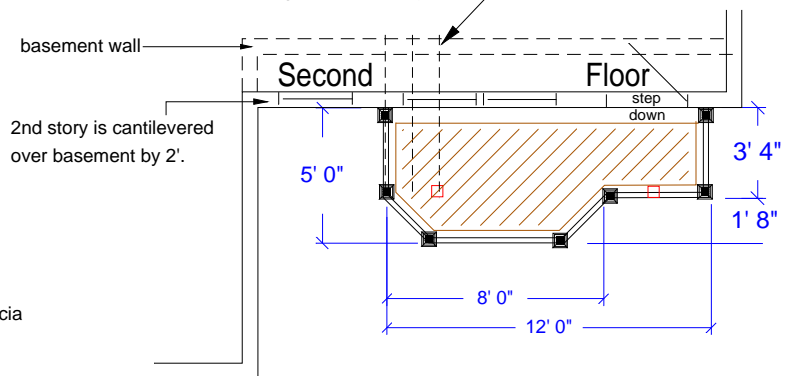
- ~ Locations of windows and doors are approximate.
- ~ All dimensions shown are approximate.
- ~ Builder provides labor, materials, permit.
- ~ Drywall and paint by others.
- ~ Install tongue & groove GeoDeck flooring (client to choose color). No nails show.
- ~ Install S4S (5/4x6) GeoDeck on stair treads (nails show).
- ~ Install GeoDeck Feature Strip around perimeter to hide contraction.
- ~ Install standard white Fairway Vinyl Railing.
- (See photo)



Typical Section of Standard Fairway Vinyl Railing with GeoDeck Decking



Note: Builder installs 3'-0" door in place of existing window. Drywall repairs by others. Builder removes house siding and sheathing and runs balcony 2x6 joists into house to rest on top of existing house 1st story wall plate.



GeoDeck Feature Strip (hides contraction). For details see <http://www.composite-decks.com/feature-strip.htm>